

<b>Heat Output</b>	Manual <b>220+m<sup>2</sup></b>	ACMS <b>220+m<sup>2</sup></b>
Avg Efficiency	69%	75%
Max Efficiency	76%	83%
Emissions	0.97gm/kg	0.6gm/kg
Burn Time	12 hours	16 hours
Log Size (max)	430mm	430mm
Weight	127kg	129kg

# STEEL RANGE VISTA INSERT

THE NEXT GENERATION OF WOOD HEATERS

Designed for installing into existing fireplaces, the Vista LE2 insert is perfect for the medium size home

Available in its standard configuration or with the optional ACMS (Advanced Combustion Management System) for enhanced performance.

### Vista Insert LE2 (Manual)

**Efficiency:** 69%

**Emissions:** 0.97gm/kg

**Burn Time:** 10 - 12 hours

### Vista Insert LE2 Smart Heater (with ACMS)

Upgrade your Alderlea T4 LE2 with the optional ACMS, an advanced electronic thermostat system. The ACMS continually monitors and adjusts your fire's primary and secondary air intake to ensure cleaner, longer, and more efficient burns.

### Benefits of Adding ACMS:

**Improved Efficiency:** Boosts efficiency from 69% to 75%, saving up to 1 ton of wood annually.

**Emissions:** 0.6gm/kg

**Extended Burn Time:** Increases burn duration to an impressive 15+ hours.

### STANDARD

Steel Firebox with 8mm thick steel: 10 year warranty

304 grade Stainless Steel Baffle: 10 year warranty

Cast Iron Door: With roller door handle for ease of closing

Deep Firebox: Takes 430mm long wood

True Slow Combustion: Offering long burn time

EBT: Automatic draft breaker, perfect for homes with excess flue


Clean Glass Tech: Turbulent air wash for cleaner glass

Direct Air: Bellow air direct into coals for fast lighting

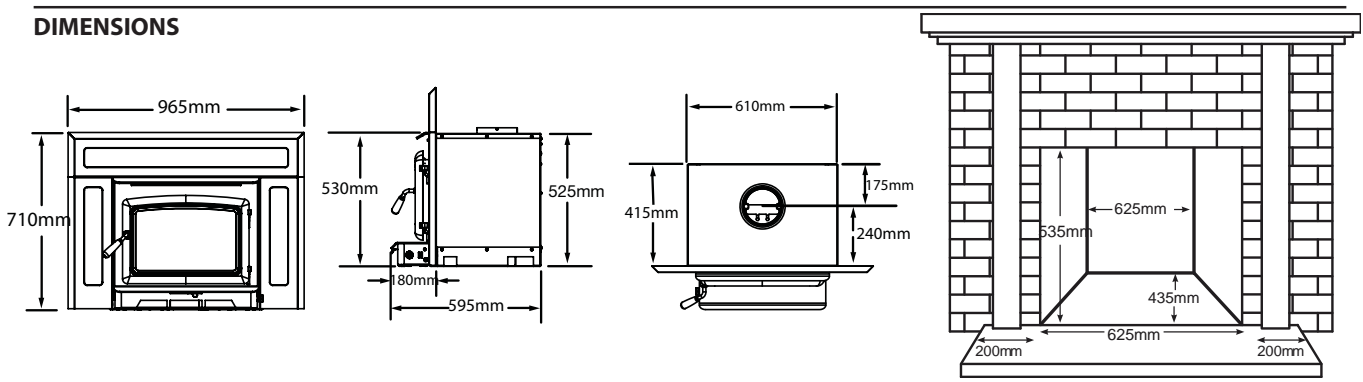
Fully fire bricked lined

2 Fans: Automatically Controlled

### ADD-ONS

+  Outside Air Adapter: Perfect for new homes

### DIMENSIONS



### MINIMUM CLEARANCE TO COMBUSTIBLES

B: Mantel Key 325mm  
(Measured From Top of Brow)

F: Hearth Depth 450mm  
(Measured from Front of Appliance Base)

C: Mantel Upright 240mm

D: Adjacent Sidewall 325mm  
(Measured from Side of Door)

